

## DR-109

Universal digital repeater



### Main Characteristics:

Universal digital repeater **DR-109** is intended for NMEA 0183 messages visual display (received from NMEA-sources). Easy tuning to any kind of NMEA data (speed, rate of turn, heading, traveled distance) is the main **DR-109** advantage. Two available serial interfaces of the device (RS-232 and RS-422/485) lighten its integration.

### Technical Description:

- More than 20 displayed NMEA 0183 messages.
- Serial display possibility up to three separate NMEA 0183 data types on the built-in LED display.
- Display's brightness tuning (embedded dimmer).
- 2 input channels (RS-232/RS-422 interfaces).
- 10 stored user's profiles options.

Type approval certificate  
of Russian Maritime  
Register Of Shipping

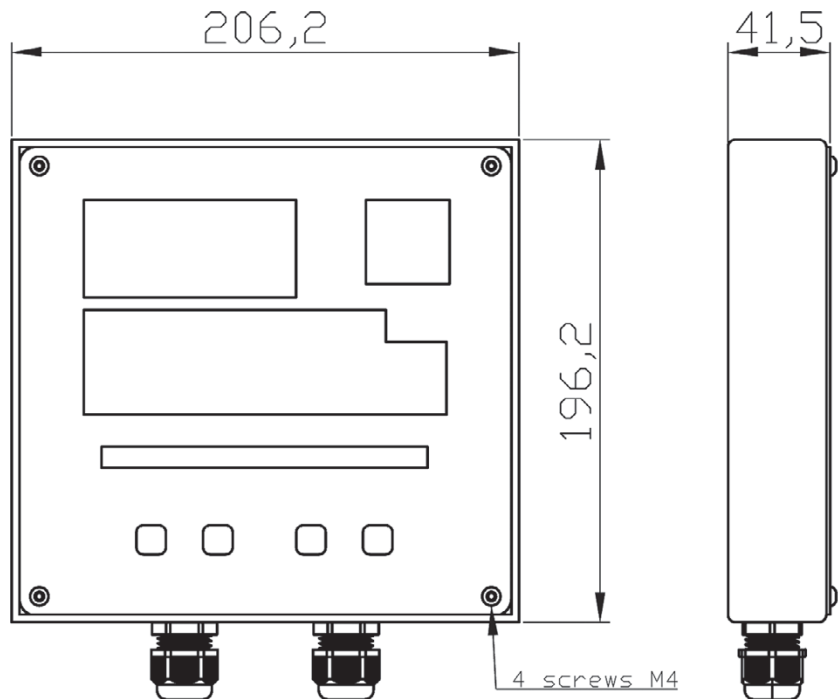


# DR-109

## Universal digital repeater



### Overall Dimensions Outline Figure:



### General Characteristics:

Power voltage.....	18..36 VDC
Working temperature.....	-20..+55°C
Storage temperature .....	-40..+70°C
Overall dimensions.....	206x196x42
Weight .....	1,5 kg

### Device's interfaces:

Interfaces type.....	RS-232 and RS-422 (2 input channels)
Baud rate .....	up to 115200 bps

### Receiving NMEA 0183 data:

\$xxDBK	\$xxDBT	\$xxDPT	\$xxHDG	\$xxHDT
\$xxMTW	\$xxMWV	\$xxROT	\$xxRSA	\$xxVBW
\$xxVDR	\$xxVHW	\$xxVLW	\$xxWCW	\$xxVPW
\$xxVTG	\$xxVWR	\$xxZDA	\$xxZFO	\$xxZTG

xx - any source of NMEA 0183 data

### Main Characteristics:

- DR-109 shows alternately up to three individual NMEA 0183 data messages on the built-in LED display.
- Rate of turn (ROT) independent displaying on the built-in LEDs bar.
- Up to 10 stored options of user's profiles (saved in non-volatile device's memory).
- Embedded display's brightness regulator (dimmer).

### Approvals:



Type approval certificate  
of Russian Maritime  
Register Of Shipping