

DR-209

Universal Digital Repeater



Main Characteristics:

Universal digital repeater DR-209 is intended for NMEA 0183 messages visual display. Embedded graphic LCD display provides comfortable use of the device. DR-209 can displays NMEA data in digital, graphical and graph modes. The device displays up to 4 different kinds of data on the one screen in the digital mode. Also user can switch between 5 customizable screens (each screen can operate in own mode).

Also UNICONT SPB prodcue specail edition of this device - DR-209BP for operation with BMU-126.

Technical description:

- Supports 29 types of NMEA 0183 messages
- 5 customizable screens
- Displaying up to 4 types of data on screen in the digital mode.
- Supports graph, graphical and digital screen modes.
- 4 input channels (RS-422/485)

Type approval certificate
of Russian Maritime
Register Of Shipping

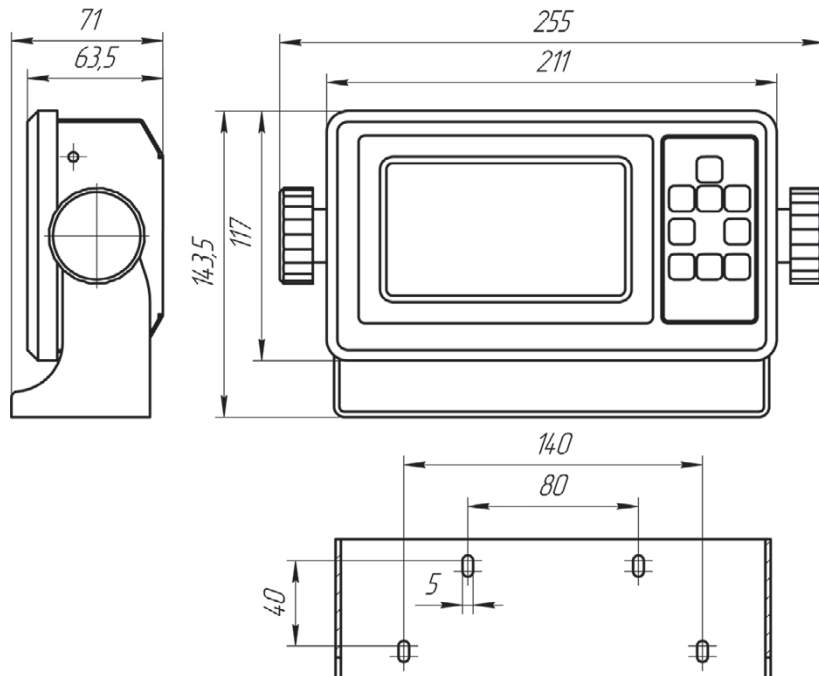




DR-209

Universal Digital Repeater

Overall Dimensions Outline Figure:



General Characteristics:

Power voltage.....	10..36 VDC
Working temperature.....	-20...+55 °C
Storage temperature	-40...+70 °C
Weight	2 kg
Overall dimensions.....	211 x 117 x 63,5 mm
Protection index.....	IP 22; IP 44 - at option

Device's interfaces:

Interfaces type.....	RS-422/485 (4 input/output channels)
Baudrate	up to 115200 bps
Parity	no/even/odd
Stop-bits	1/2
CRC-checking	on/off (adjustable)
Output data	combined data from input channels according to user's settings.

Receiving NMEA 0183 messages:

\$xxAPB, \$xxBWC, \$xxBWR, \$xxDBK, \$xxDBS, \$xxDBT, \$xxDPT, \$xxGGA, \$xxGLC, \$xxGLL, \$xxGTD, \$xxHDT, \$xxHDG, \$xxHDM, \$xxMDA, \$xxMTW, \$xxMWV, \$xxRMB, \$xxRMC, \$xxVBW, \$xxVDR, \$xxVHW, \$xxVTG, \$xxVWR, \$xxVWT, \$xxXTE, \$xxZDA.

xx – any source of NMEA 0183 data

Main Characteristics:

- Graph, graphical and digital screen modes
- 5 customizable screens (each can operate in own mode)
- support of 29 types of NMEA 0183 messages
- 10 customizable alarm conditions
- Embedded display's brightness and contrast regulators
- Integrated adjustable NMEA 0183 data combiner