

Universal Digital Repeater

DR-209M



The Universal Digital Repeater DR-209M is designed to indicate the data received in NMEA format (IEC61162) from ship navigation systems on a graphic or a digital display. The repeater can be used as an indicator and a data converter (microcomputer) with the Customer's software.

SPECIFICATIONS

Indicator (display)	
Display screen:	LED, 8", 1024 × 768 (XGA, 4:3, 350 cd/m ²)
Contrast:	800:1
Angles of view:	170°
Active area:	162 mm × 121 mm
Number of colors:	16.7 mln

Electrical Parameters	
Power requirement	10 to 36 VDC
Power consumption	max. 20 W
Circuit protection	Reversed polarity protection Galvanic isolation

Hardware specifications	
Processor	ARM Cortex-A8 (AM3359)
Built-in memory	2 GB (SD Card EMMC)
RAM	512 MB

Input/Output Characteristics	
Interface:	4 × RS-422 (3 – bidirectional, 1 – reception only) galvanically separated
Data rate:	4800/9600/19200/38400/ 57600/115200 bps

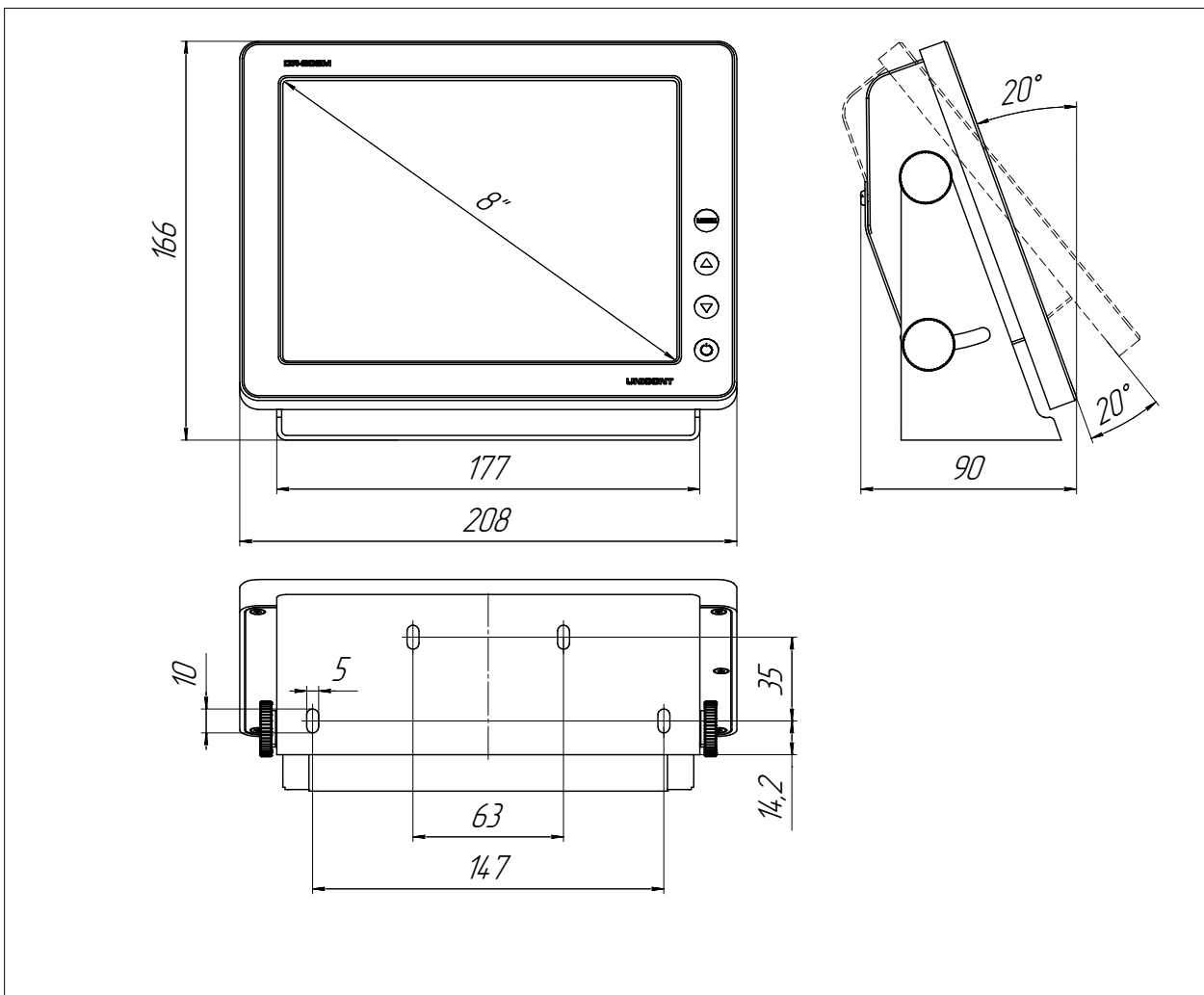
Control	
Keypad:	membrane, 4 keys
Touch screen	Resistive screen

Data	
Received data format	IEC61162-1.2 (NMEA 0183 ver. 1, 2) and others
NMEA	\$xxHDT, \$xxHDG, \$xxHDM others awaited...

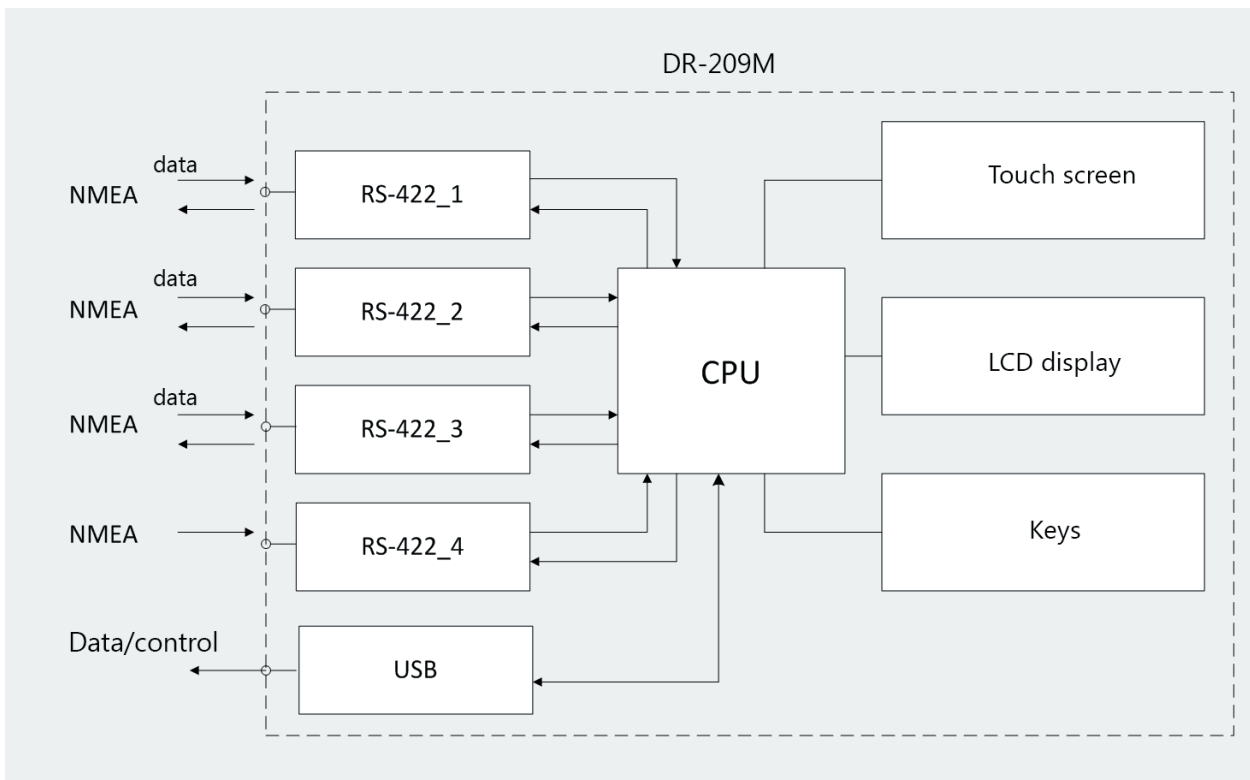
General Data	
Overall dimensions, mm	208x165x92
(with bracket), mm	208x160x59
Mass	4 kg
Operating temperature	- 20 °C to + 55 °C
Storage temperature	- 55 °C .. + 70 °C
Protection class:	IP 22

Software	
Split screen viewing	Steering repeater Display modes: - two cards (full scale) - a half of card (top side) - heading digital image other screens awaited

Operating System	
OS	Windows EC 7



Overall and mounting dimensions: DR-209M



Functional block diagram