

Unicont SPb LTD

PS-203 shipboard power supply

Technical documentation
20312-3-161110

St. Petersburg
2009

Contents

| | |
|--|---|
| Contents | 2 |
| 1. Application | 3 |
| 2. Delivery set..... | 3 |
| 3. Specifications | 3 |
| 4. Basic functions and technical description | 3 |
| 5. Installation and connection..... | 3 |
| 6. Warranty | 5 |
| 7. Sale data..... | 6 |
| 8. Acceptance data..... | 6 |
| 9. Commissioning certificate..... | 6 |

1. Application

The PS-203 power supply (hereinafter referred to as the “PS”) is designed to supply 12 V (or 48 V depending on the model) DC stabilized voltage to various marine or industrial equipment.

2. Delivery set

- | | |
|----------------------------|----------|
| 1) Power supply | 1 in No. |
| 2) Technical documentation | 1 in No. |

3. Specifications

| | |
|------------------------|---|
| Supply voltage: | 110/220 VAC, 24/110/220 VDC (underline as appropriate) |
| Rated output voltage: | 12 VDC/48 VDC (underline as appropriate) |
| Rated load current: | 12.5 A |
| Power rating: | 50/100/150 W (underline as appropriate) |
| Efficiency: | min 85 % |
| Dimensions: | 169 x 245 x 59.5 mm |
| Operating temperature: | -20...+55 °C |
| Storage temperature: | -60...+70 °C |
| Weight: | max 5 kg |
| Protection class: | IP 22 |

The output voltage is galvanically isolated from the supply mains.

4. Basic functions and technical description

The PS is supplied from the 110/220 VAC or 24 VDC/110 VDC/220 VDC mains (depending on the model) and delivers 12 VDC (or 48 VDC) stabilized voltage to consumers.

The PS is protected against short circuits in the output circuit by means of a fuse. In case of a short-circuit fault, turn off the PS; eliminate the short-circuit cause; replace the fuse; then, turn on the PS-203.

5. Installation and connection

1) Install the unit as per the installation drawing (fig. 1) on a vertical bulkhead or mounting panel. Special holes are provided in the enclosure for fixing the unit. Fasteners (screws, bolts) are inserted from inside the enclosure.

2) Connect cables from external devices and power supplies to the PS terminals as per their markings (fig. 2).

3) Turn on the switch located on the side wall of the enclosure to supply voltage to the unit.

4) Check operation of the unit (by supplying the output voltage to the connected equipment); then, close the enclosure cover.

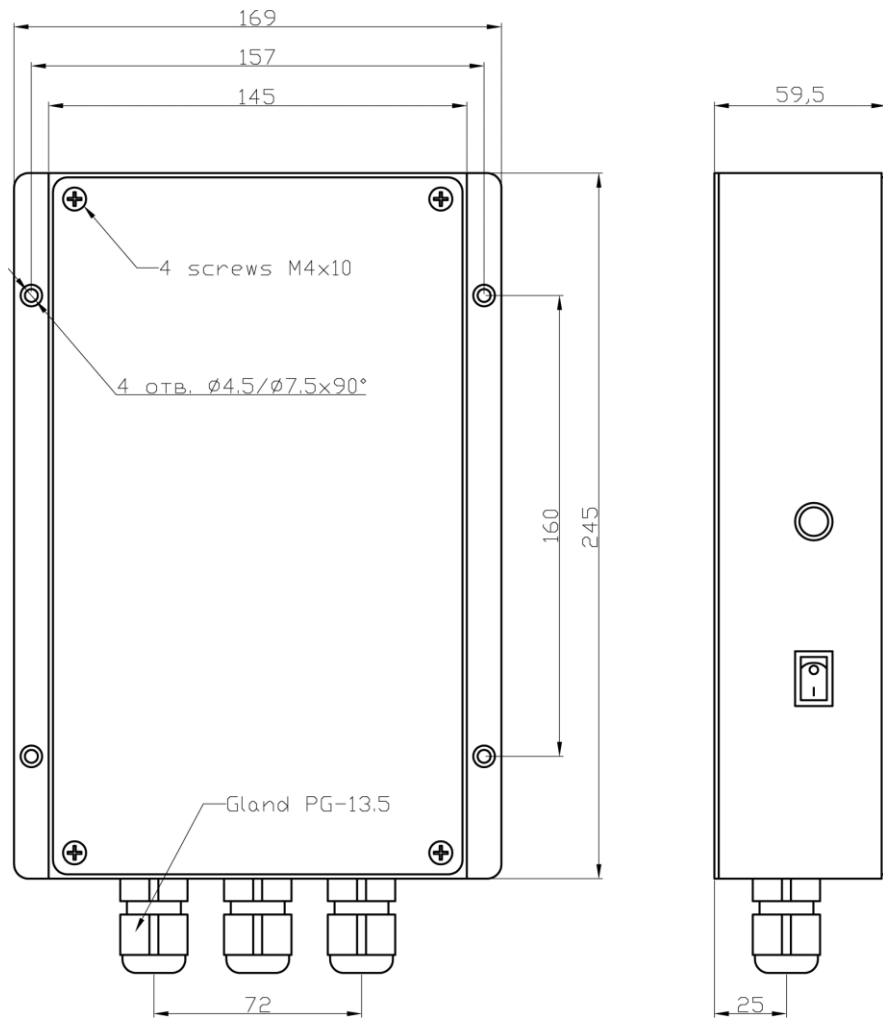


Fig. 1. PS installation drawing

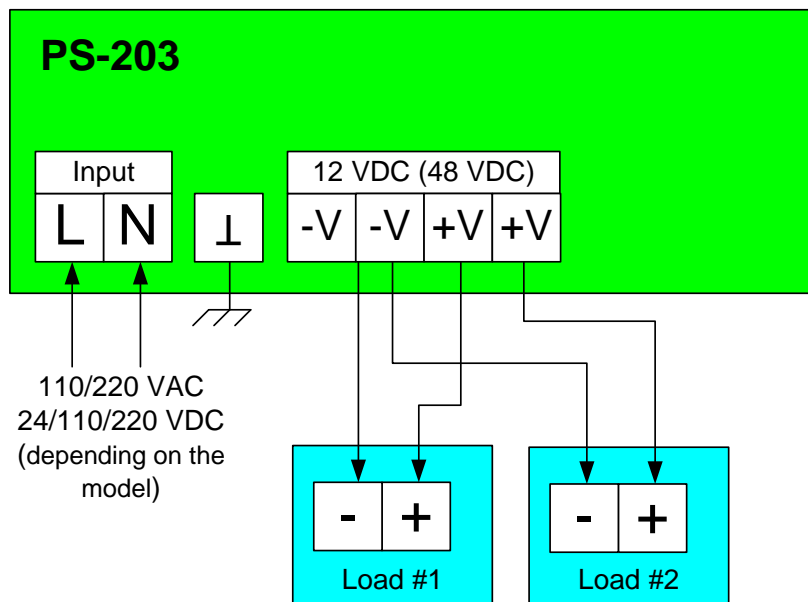


Fig. 2. PS-203 connection diagram

6. Warranty

The manufacturer guarantees conformance of the PS-203 power supply to this Manual provided the operation, transportation and storage requirements are met within the warranty period.

The unit's warranty period expires 18 months after its date of sale or 12 months after its date of commissioning.

The owner shall have the right to repair or replace a separate unit free of charge within the warranty period, when failures are through the manufacturer's fault. The warranty repair shall be carried out provided that the Operating manual is available and this Manual contains acceptance and commissioning information.

The manufacturer shall assume no responsibility as well as make no warranty for operation of the unit in the below cases:

- 1) After expiration of the warranty period
- 2) When the operation, transportation, storage and installation rules or conditions are not followed.
- 3) When the marketable state of the unit is lost or integrity of its enclosure is damaged, as well as due to other reasons beyond the manufacturer's control
- 4) When self-made electric devices are used
- 5) When any repair attempts are made by persons not being authorized representatives of the manufacturer.

In case no commissioning data is available, the warranty repair period shall start from the date of sale.

In case this Operating manual is lost, duplicate copies of acceptance and commissioning data shall not be issued, whereas the owner shall forfeit the right to free repair within the warranty period. Upon expiration of the warranty obligations, the manufacturer shall assist in the unit's troubleshooting at the owner's expense.

Address and contact information of manufacturer's service center:

Unicont SPb LTD

26E, Kibalchicha St., St. Petersburg, 192174 Russia

Tel.: + 7 (812) 622 23 10, +7 (812) 622 23 11

Fax: +7 (812) 362 76 36

E-mail: service@unicont.spb.ru

7. Sale data

Serial number _____

Date of manufacture _____

Supplier Unicont SPb LTD

L.S.

8. Acceptance data

The unit was manufactured and accepted in accordance with mandatory requirements of national standards, applicable technical documentation and was qualified as ready for service.

Personal signatures of acceptance personnel

L.S.

9. Commissioning certificate

PS-203 power supply

Serial number _____

Accepted for operation

Date _____

Place of installation _____

Installed by _____