

# **AUTOMATIC POWER TRANSFER SWITCH APS-120**

## Technical Description

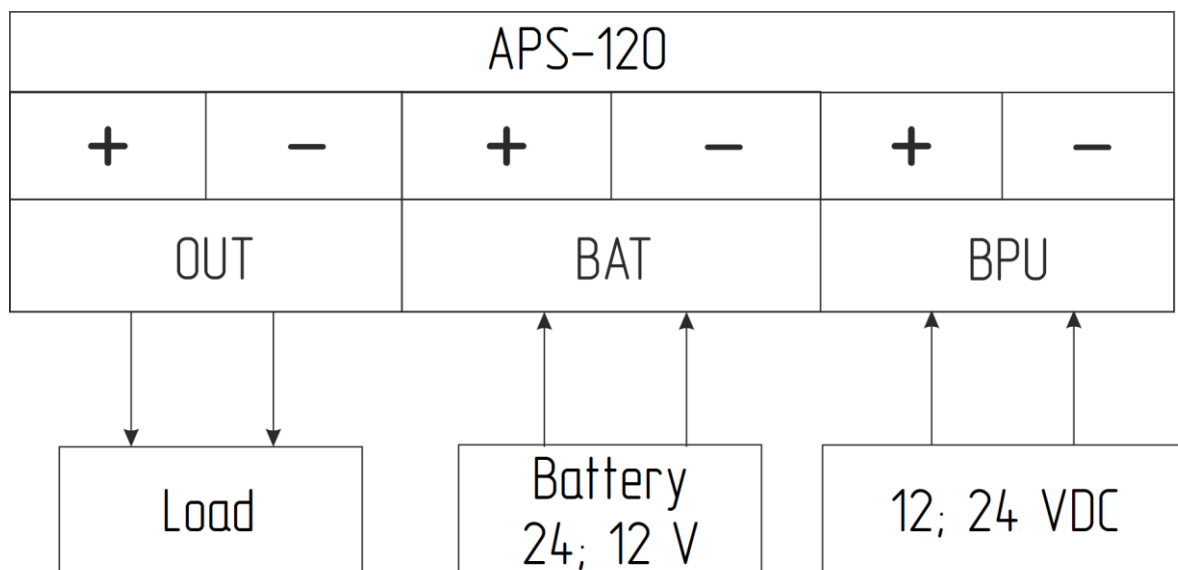


Automatic power transfer switch APS-120 is designed to switch main/standby power ensuring uninterruptible power supply of load with DC voltage when main power fails.

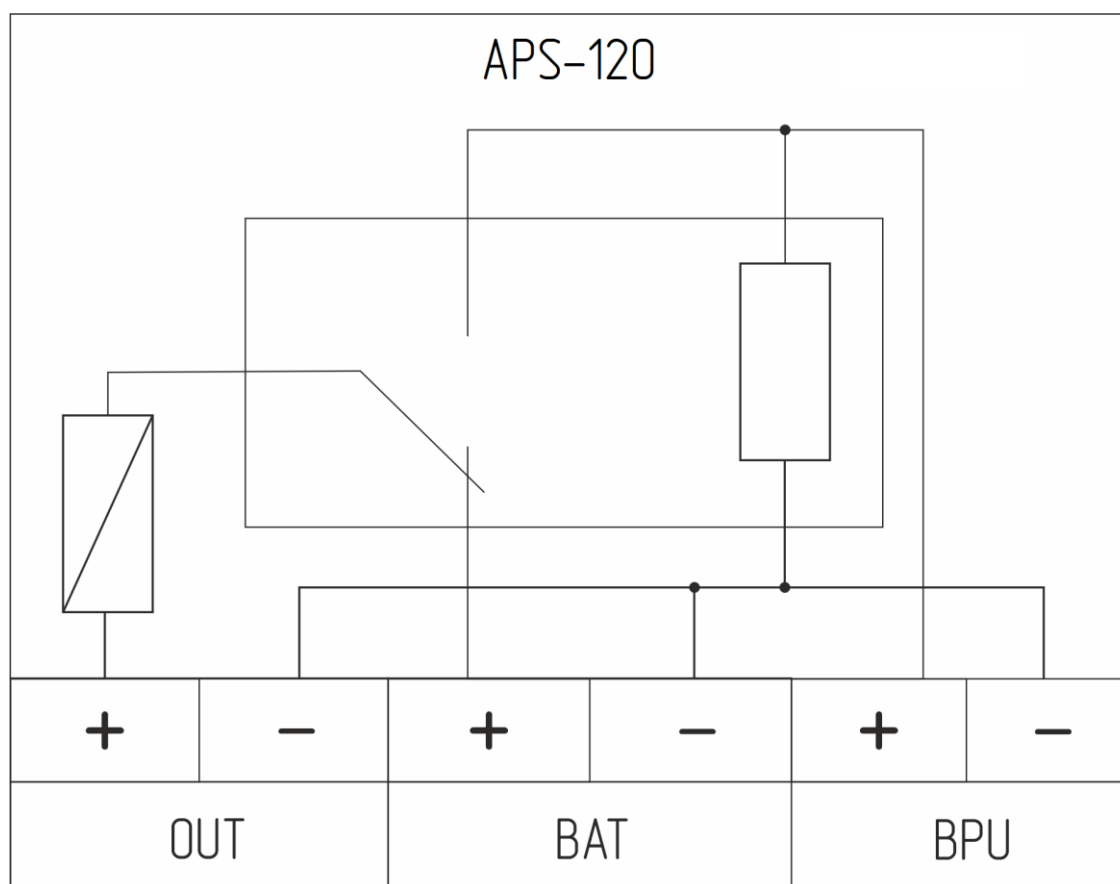
### TECHNICAL SPECIFICATIONS

Parameter	Value
Rated input voltage (main), V DC	12; 24
Rated input voltage (standby), V DC	12; 24
Output voltage	depending on input voltage
Rated load current (switching), A	20
Protection degree	IP22
Operating temperature, °C	-15 to +55
Limiting temperature, °C	-60 to +70
Weight, kg	0.32
* Height with cable glands.	

**CONNECTION DIAGRAM**



**FUNCTIONAL DIAGRAM**



**OUTLINE AND INSTALLATION DIMENSIONS**

