

# **MULTIPURPOSE DATA CONVERTER DFR-118**

Technical description

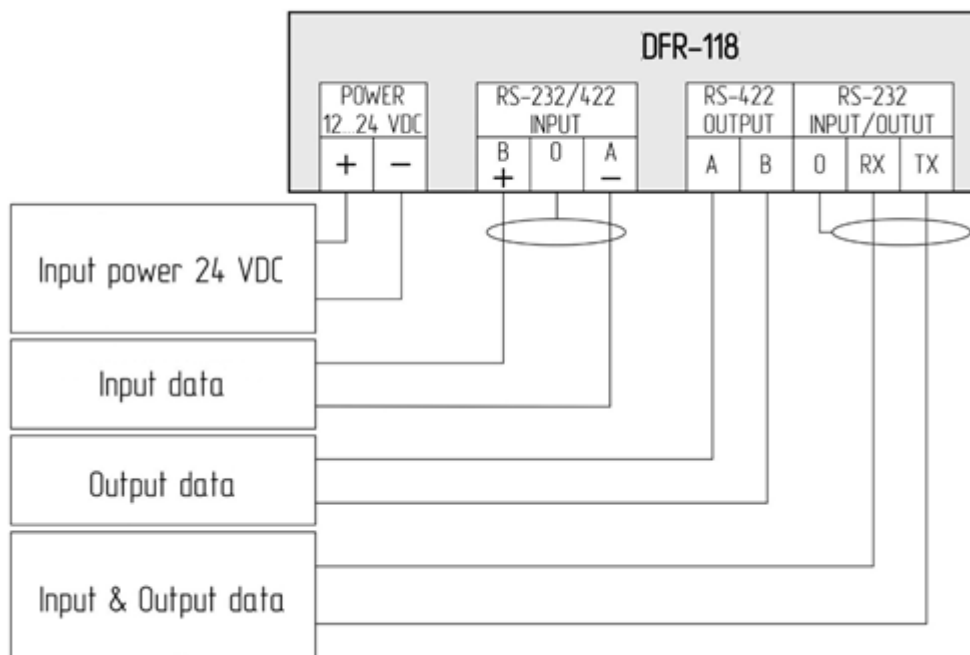


Multipurpose data converter DFR-118 is intended to couple two devices incapable to establish the connection due to incompatible interfaces, parameters, data type and format, data repetition frequency, etc.

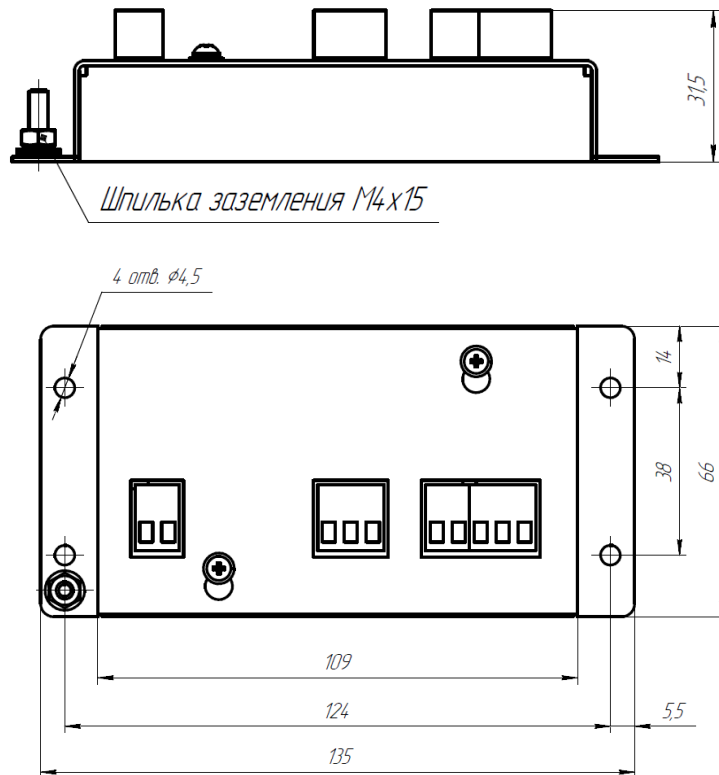
### TECHNICAL SPECIFICATIONS

Parameter	Value
Input voltage, V DC	10 to 36
Max. consumption current, mA	100
Protection degree	IP22
Operating temperature, °C	-20 to +55
Limiting temperature, °C	-50 to +75
Weight, kg	0.26
Dimensions, mm	66.0 x 135.0 x 31.5

### CONNECTION DIAGRAM



**DIMENSIONAL AND INSTALLATION SPECIFICATIONS**



**FUNCTIONAL DIAGRAM**

