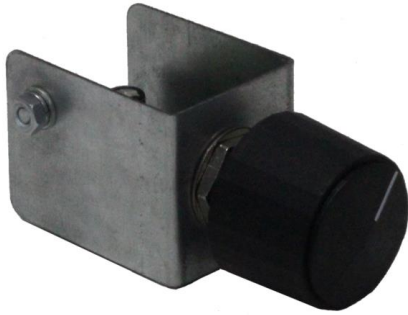


DIMMER DM-107

Technical Description

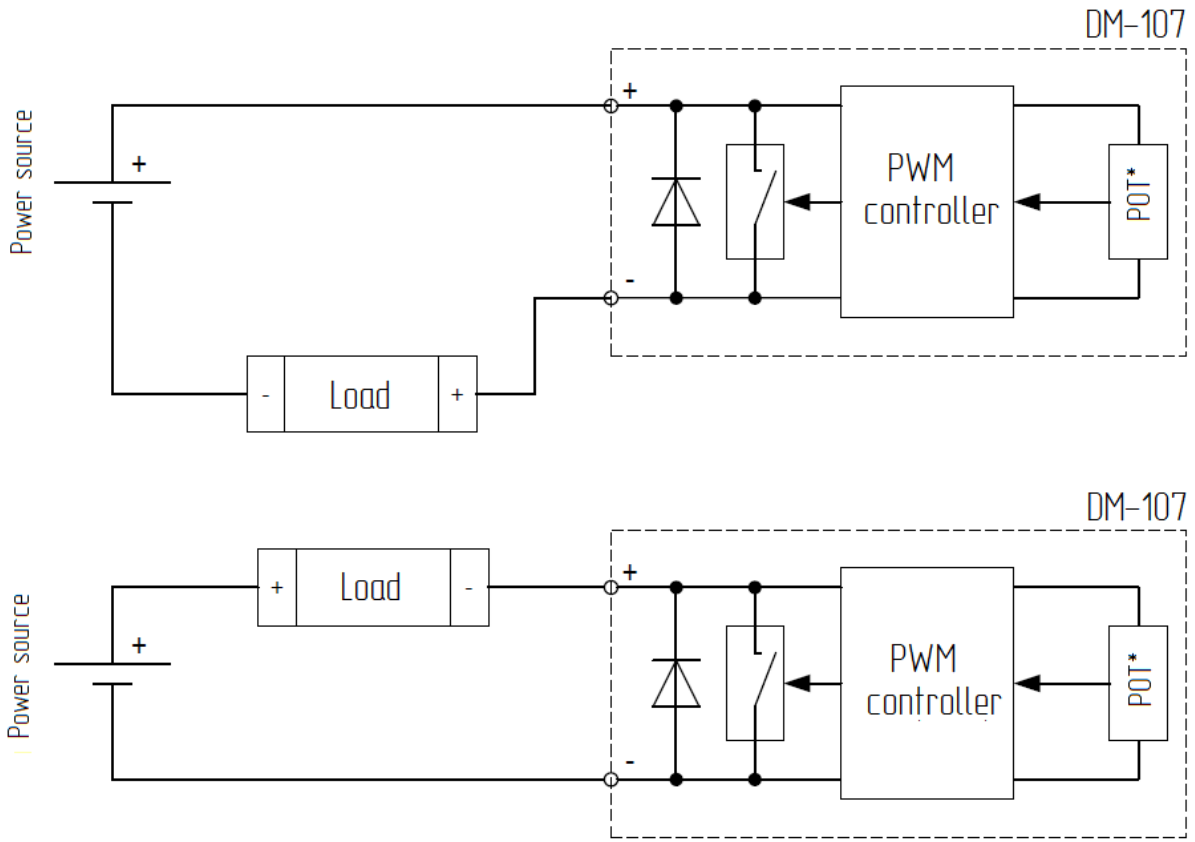


Dimmer DM-107 is designed to control electric power of resistive (illuminating lamps, resistors, etc.) or inductive load (solenoids, valves, motors, etc.).

TECHNICAL SPECIFICATIONS

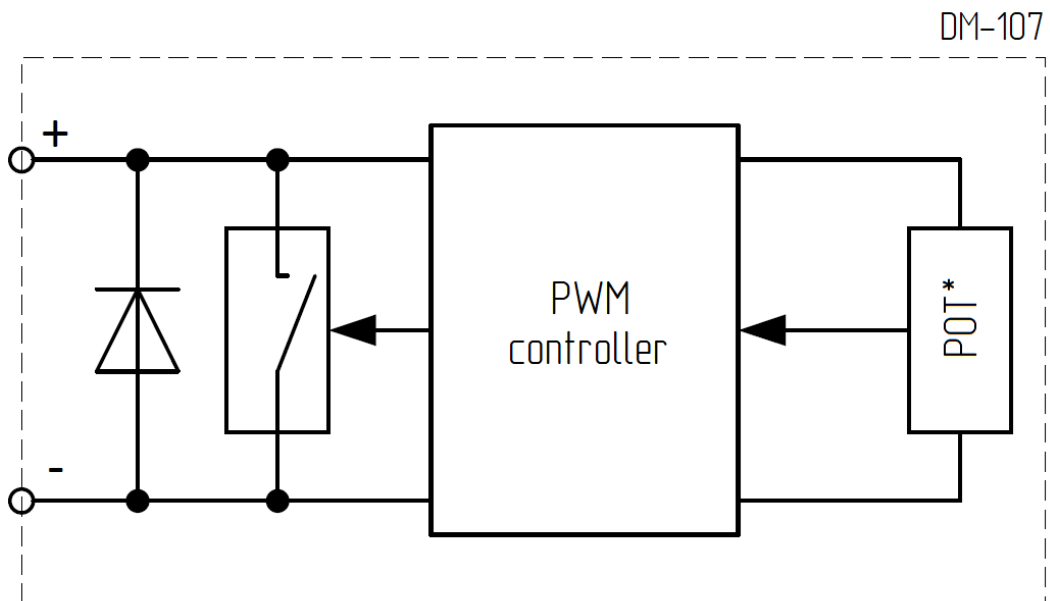
Parameter	Value
Rated input voltage, V DC	24 (18 to 36)*
Dimmer current (regulator in “min” position) under 30 V DC, mA	1.1
Type of connected load	resistive, inductive (except capacitive)
Max. switching current, A	3.2
Max. power of connected load, W	100
Min. residual current in circuit (under zero power), mA	2
Efficiency, %	max. 90
Limitation of min. power level, %	0 to 50
Operating frequency of PWM controller, Hz	200 ± 20
Operating temperature, °C	-20 to +60
Weight, kg	0.04
* supply voltage range is given in brackets.	

CONNECTION DIAGRAM



POT* - potentiometre

FUNCTIONAL DIAGRAM



*POT - potentiometer

OUTLINE AND INSTALLATION DIMENSIONS

Mounting cutout

