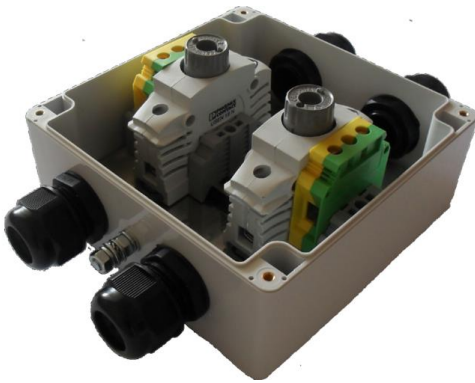


FUSE BOX FB-137

Technical Description

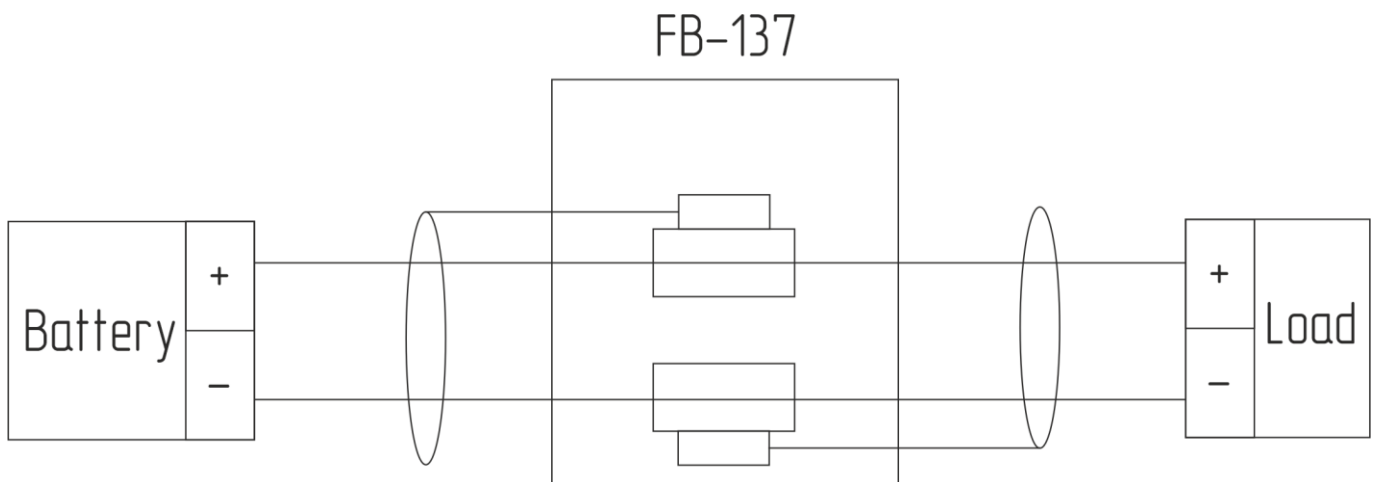


Fuse box FB-137 is designed to protect electric circuits and relevant elements against short circuit and over-current; it may be used to protect electric circuit elements and connected storage battery.

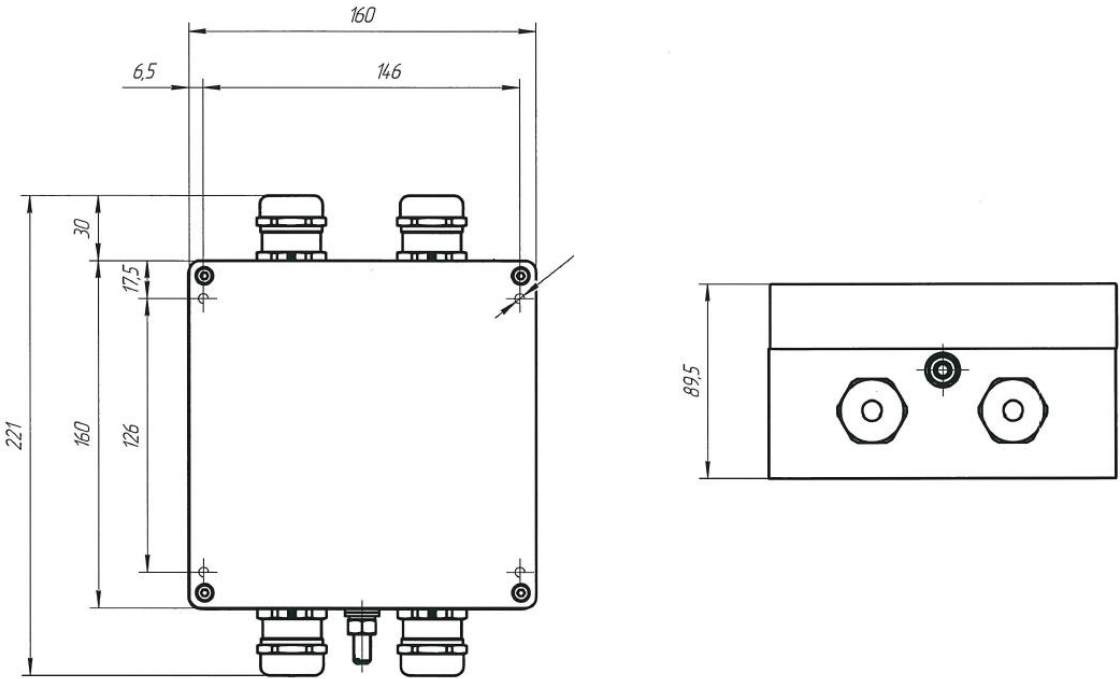
TECHNICAL SPECIFICATIONS

Parameter		Value
Operating voltage, V	DC	12 to 250
	AC, frequency 50 Hz	400
Rated current, A		50
Protection degree		IP65
Operating temperature, °C		-40 to +55
Weight, kg		1.74

CONNECTION DIAGRAM



OUTLINE AND INSTALLATION DIMENSIONS



FUNCTIONAL DIAGRAM

