

BIDIRECTIONAL RS-232/422 CONVERTER RS-104

Technical Description



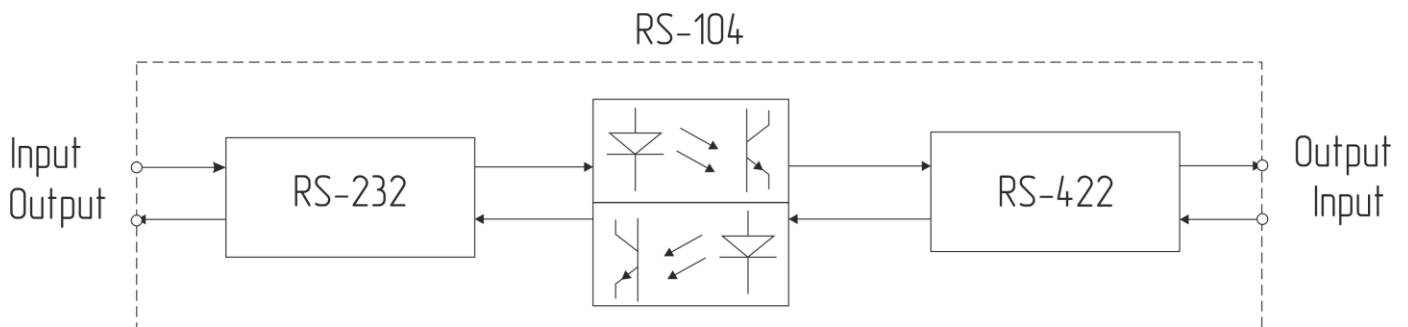
Bidirectional RS-232/422 converter RS-104 is designed for direct and reverse conversion of RS-232 signals to RS-422.

TECHNICAL SPECIFICATIONS

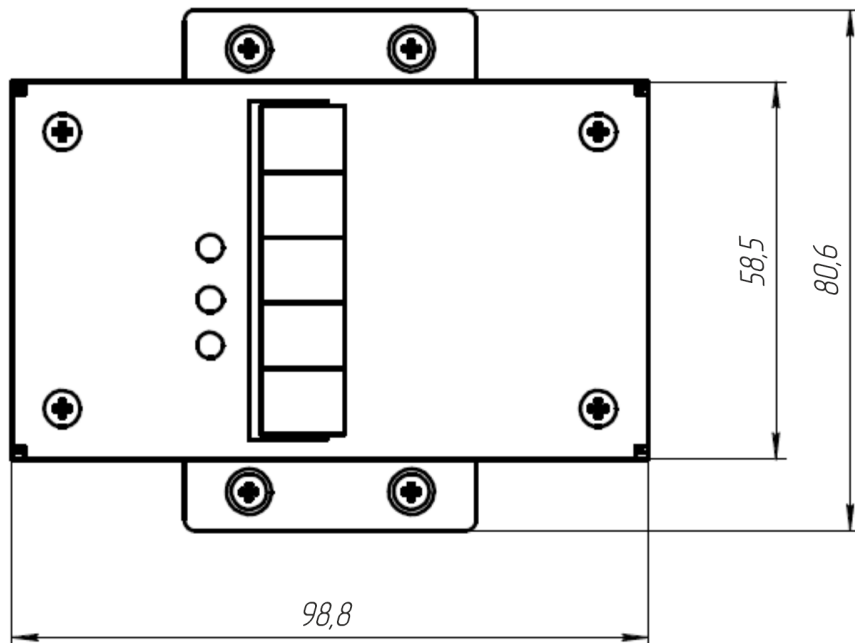
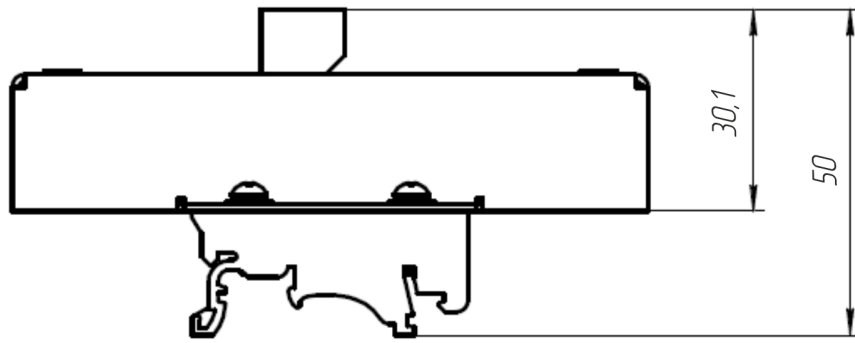
Parameter	Value
Input voltage, V DC	24 (10 to 36)*
Max. consumption current, mA	120
RS-232/422 input ports, pcs.	2
RS-232/422 output ports, pcs.	2
Galvanic isolation of interfaces from the supply mains	yes
Galvanic isolation of input and output ports	yes
Optoisolation	yes
Data receive (transmission) rate, bit/s	4,800 (max. 115,200)
Electric strength, V	2,000
Mounting	on DIN-rail
Protection degree	IP22
Operating temperature, °C	-20 to +60
Limiting temperature, °C	-60 to +70
Weight, kg	0.2

* Supply voltage range is given in brackets.

FUNCTIONAL DIAGRAM



OUTLINE AND INSTALLATION DIMENSIONS



CONNECTION DIAGRAM

