

TEMPERATURE SENSOR DTS-135

Technical Description



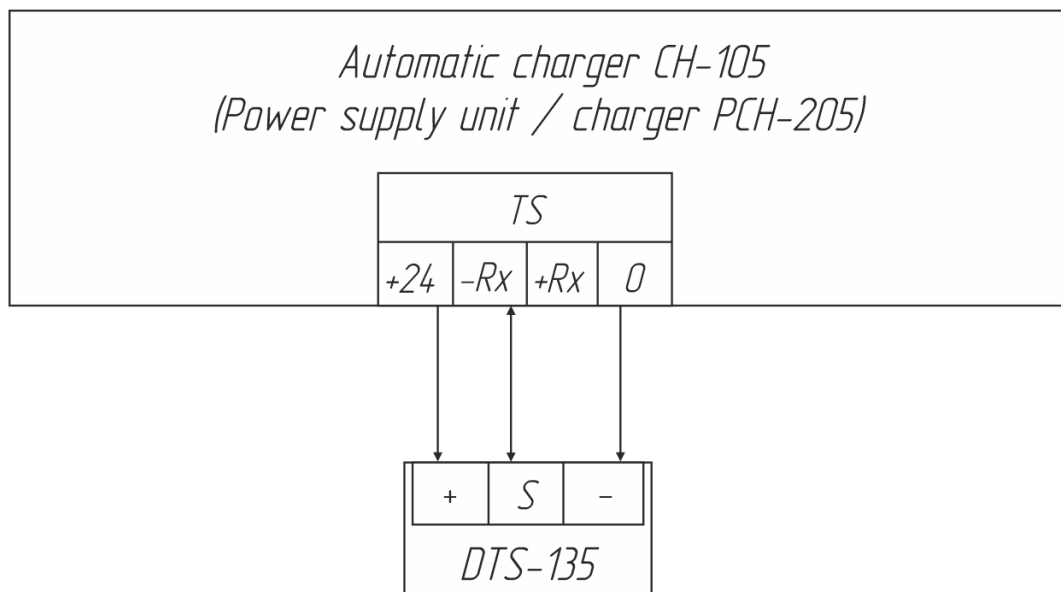
Temperature sensor DTS-135 is designed to measure current temperature of the accumulator battery and output the measured values via “one-wire” digital channel.

TECHNICAL SPECIFICATIONS

Parameter	Value
Supply voltage, V DC	3.0 to 5.5
Max. power consumption, W	0.1
Measurement error, °C	± 0.5
Measurement range, °C	-55 to +125
Protection degree	IP44
Weight, kg	0.13
Mounting	hinged

Note – DTS-135 is delivered with a standard cable and attached to the battery casing with glue or mounting tape.

CONNECTION DIAGRAM



DTS-135 may be connected to other devices that support data reception via “one-digital” channel.

OUTLINE AND INSTALLATION DIMENSIONS

