

RS-104



Bidirectional RS-232/422 Converter

UNICONT

Unicont SPb Ltd.

Address:

St. Petersburg, Kibalchicha St., 26E
193174. Russia

Phone/Fax: +7 (812) 622 23 10

E-mail: info@unicont.spb.ru

Web: www.unicont.spb.ru

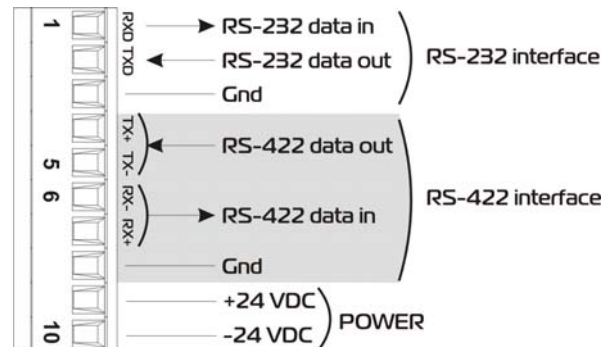
RS-104 is intended for bi-directional data conversion of interface RS-232 to RS-422 and RS-422 to RS-232. All ports of interfaces have a galvanic isolation. RS-104 makes it possible for computer based information systems connect to various electronic ship equipment (as GPS, ARPA and other).

Specification

Power supply:	10-30 VDC. Galvanic isolation of RS-232, RS-422 and supply voltage
Current consumption:	120 mA maximum (under 24VDC)
Input:	2 ports (RS-232 and RS-422). Galvanic isolated
Output:	2 ports (RS-232 and RS-422). Galvanic isolated
Working speed:	4800 bps (38400 bps maximum)
Optoisolation:	RS-232=>RS-422 and RS-422=>RS-232 (2000 V)
Indication:	Power, data receiving from RS-232, data receiving from RS-422
Overall dimensions:	80 x 98 x 31 (mm)
Weight:	200 grams
Temperature range:	-20..+60 °C

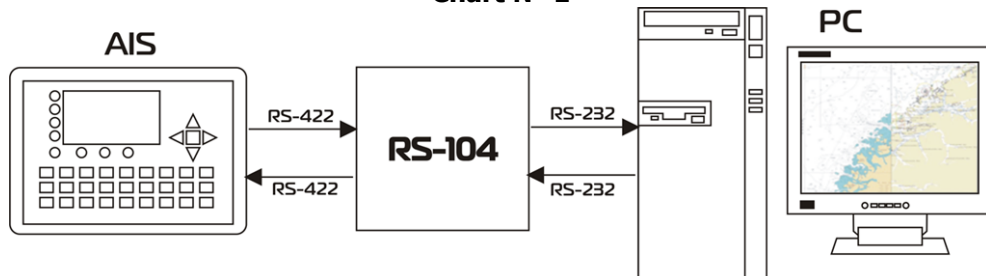
Contacts specification

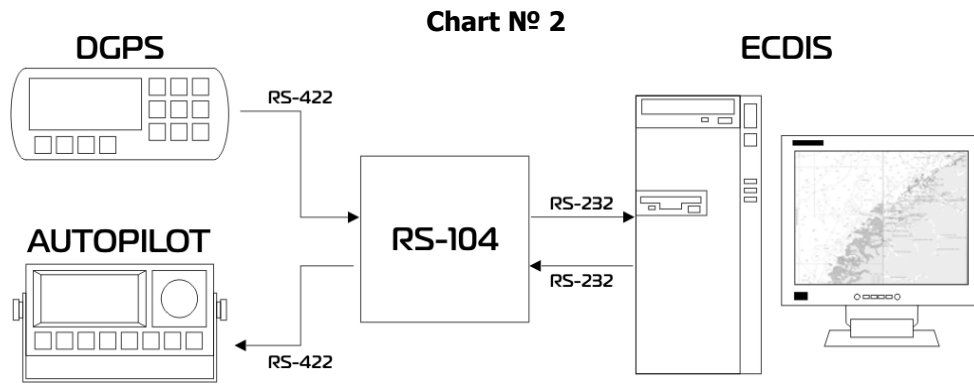
Contact	Contraction	Description
1	RXD	RS-232 input
2	TXD	RS-232 output
3	GND (RS-232)	RS-232 ground
4	TX+	RS-422 output
5	TX-	
6	RX-	RS-422 input
7	RX+	
8	GND (RS-422)	RS-422 ground
9	+12..24 VDC	Power supply
10	-12..24 VDC	



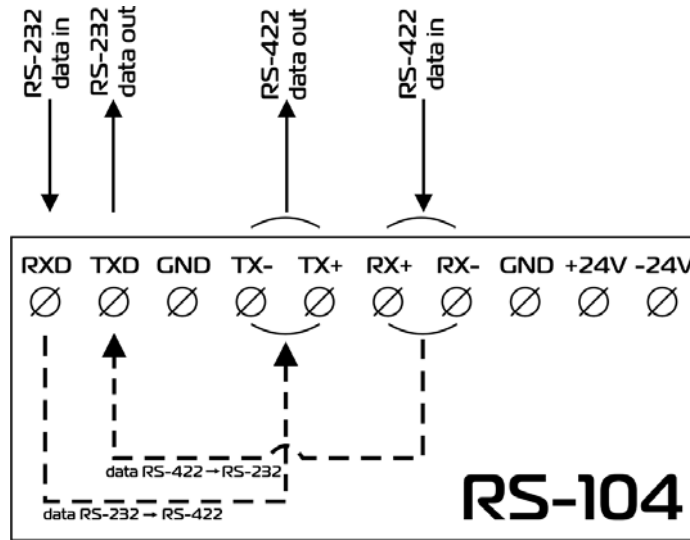
Sample connection structure chart

Chart № 1

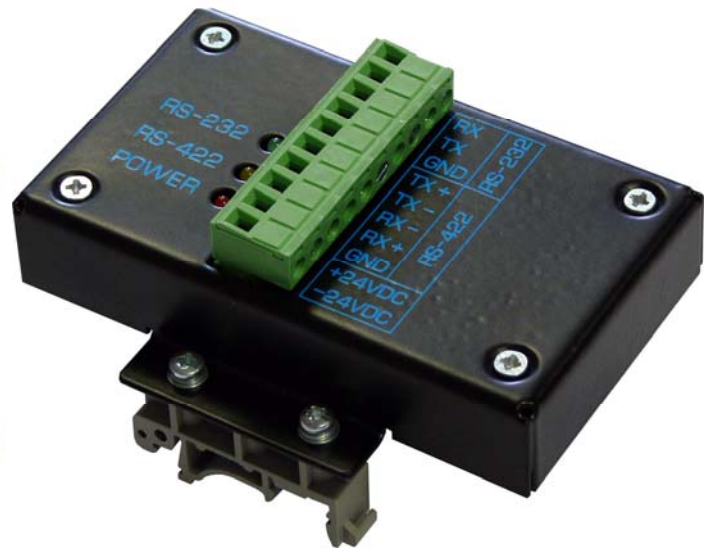
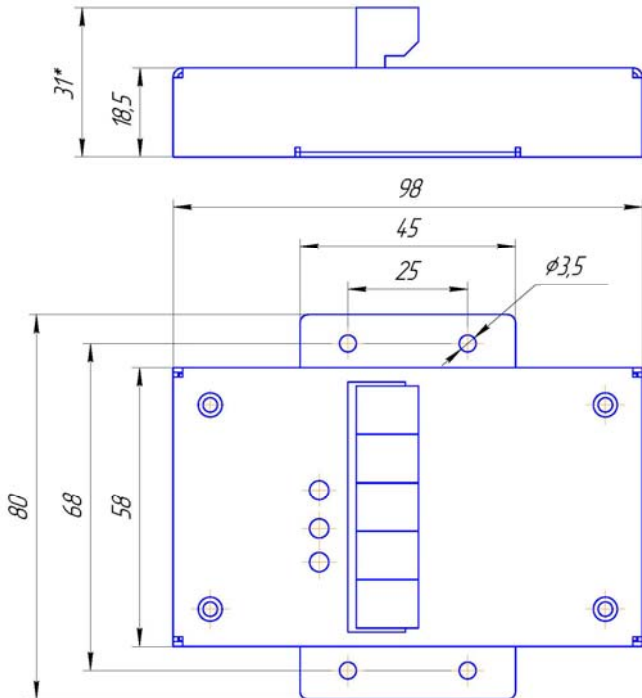




Data conversion scheme



Dimensional drawing and the general appearance



Housing unit has a design that allows it to mount on a DIN-rail or panel mounting (bulkhead / wall).

DATE OF PACKING

Bidirectional RS-232/422 Converter

name of article

RS-104

designation

№

serial number

Packed Unicont SPb Ltd, Russia.

Manufacturer

according to the requirements of the current technical documentation.

post

signature

clarification of signature

year, month, day

ACCEPTANCE DETAILS

Bidirectional RS-232/422 Converter

name of article

RS-104

designation

№

serial number

was manufactured and accepted in accordance with the regulatory requirements of the state standards and applicable technical documentation, and is suitable for operation.

Quality control representative

Stamp

here signature

clarification of signature

year, month, day

DATE OF COMMISSIONING

Bidirectional RS-232/422 Converter

name of article

RS-104

designation

№

serial number

The unit has been put into operation.

Date of installation:

Place of installation:

Person in charge of installation: